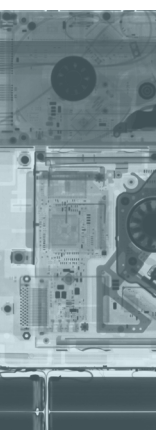


# GX320

## TECHNICAL SPECIFICATION

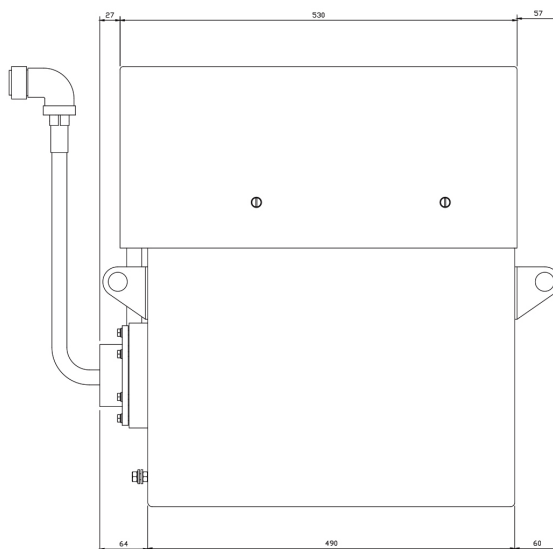
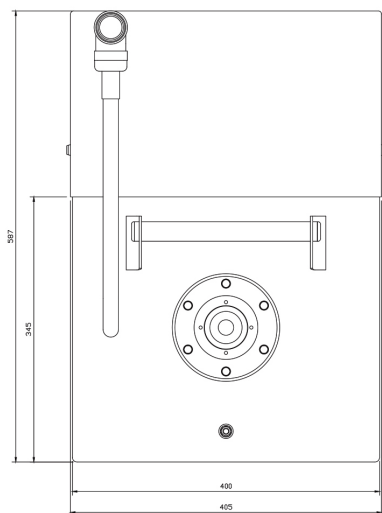
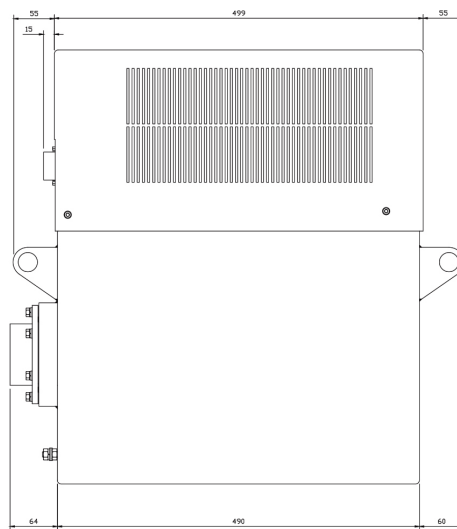
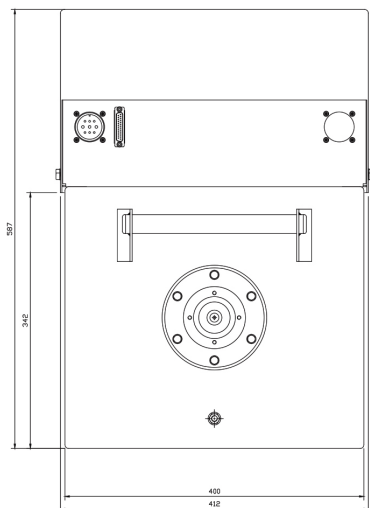
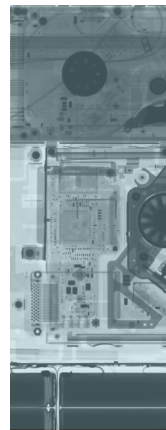


Maximum Power	4,200 W
kV Range	30 - 320 kV
kV Accuracy	± 1% of Demand Value
kV Reproducibility	Better than ± 0.05 kV
High Voltage Ripple	10.0 V/mA with 10m High Voltage Cable
mA Range	0 - 25 mA
mA Accuracy	± 0.5% of Demand Value
mA Reproducibility	Better Than 2µA
Input Voltage	220 V ±10% 47 - 63 Hz
Input Current	25 A at 220 V
Output Connector	R24
Dimensions Cathode mm (W x H X D)	400 x 613 x 586 mm
Dimensions Anode mm (W x H X D)	400 x 613 x 586 mm
Weight kg (Combined)	240 kg
Storage Temperature	-40° C to + 70° C
Operational Temperature	0°C to + 40°C
Relative Humidity	95%
Duty Cycle	100%
Comms	Analogue / RS232 / RS422 / Ethernet

# X-RAY

## GENERATORS • CONTROLLERS • TUBES

The Gulmay GX Series is the latest high specification range of high-voltage generators ranging in output power from 3025W to 7500W. Designed for a wide range of applications, GX generators are available in output voltage configurations from 65KV up to 450KV.



**GULMAY Limited**  
Cyan House, 1 Canada Road, Byfleet, Surrey, KT14 7JL  
United Kingdom  
Telephone: +44 01932 339850

